

SPEC:

A. Material:

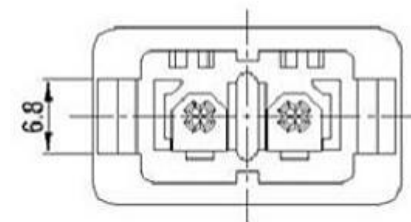
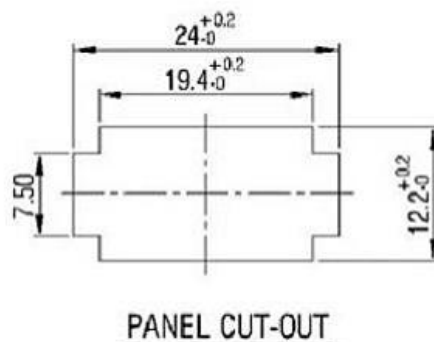
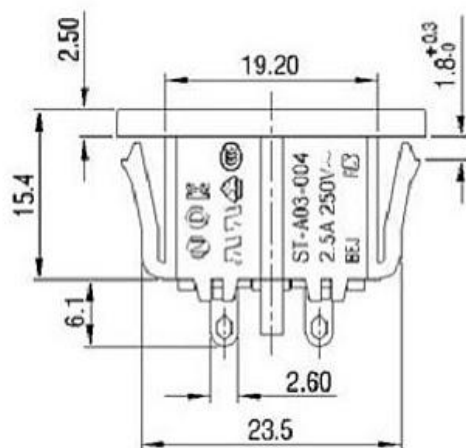
1. Housing: PA66
2. Terminal: COPPER ALLOY, TIN PLATED

B. Electrical Characteristics:

1. Rating: 2.5A 250V~ (UL, CUL, VDE, CCC, NEMKO, DEMKO, KC)
2. Electric Strength: AC 2,000 V FOR ONE MINUTE
3. Insulation Resistance: 100MΩ MIN, AT 500V DC

C. Approvals:

UL, CUL, VDE, CCC, NEMKO, DEMKO, KC



				普通公差 COMMON TOLERANCE :	 东莞市高迪电子有限公司					
				UP TO 5 ±0.20						单位
				ABOVE 5 TO 30 ±0.30	绘图	林晓良	核对		型号	
				ABOVE 30 ±0.50	日期	19.08.12	核准		料号	KD-AC电源插座
REV.	DATE	REVISION DESCRIPTION	ISSUE	ANGULAR ±5°	DATE		APPROVAL BY		PART NO.	